

FA-249LED MARINE LANTERN



Pharos Marine 
Automatic Power



Featuring a highly efficient fresnel-type acrylic drum lens system, the FA-249LED is a rugged & compact marine signal lantern. It is suited for buoys, fixed platforms, barges, low-powered warning lights, and others

With the advent of LED light sources, Automatic Power has adapted the FA-249 marine lantern for use as an LED lantern due to its widespread use and excellent reputation as a buoy lantern. It provides the lighthouse authority the advantages of a proven lantern design with the flexibility to use the same housing and lens system for both LED and lampchanger systems and to retrofit LEDs into existing installations.

Utilizing very high flux LEDs mounted on a STABRITE LED array system and driven by specially designed electronics, the FA-249LED represents the state of the art in LED light systems.

FLASH CHARACTERISTICS

Preset at factory to customers specifications. 256+1 special programmable position.

ELECTRONICS

- High-efficiency TracSwitcher current controls. 82% of the battery current reaches the LED array on flash. 2 milliamp idle current between flashes.
- Software programmable: Photocell, low voltage disconnect, special flash rhythm, specialized current settings and solar charge control voltage setting.
- Optional Uniflash®-II GPS synchronizing system, terminal strips, etc.
- Optional 365 day timer.
- Optional remote monitoring.

LENS

- 155 mm 360 degree visibility acrylic fresnel lens in clear, red, green, and amber.

LEDS

- State of the art high flux STABRITE LED unit. LEDs mounted in a cluster to approximate a marine signal lamp located at the focal point of the lens. Life expectancy in excess of 100,000 hours depending on current density.

CONSTRUCTION

- A Qualified Product to U. S. Coast Guard Specification 205, the FA-249 is designed to withstand the mechanical stresses of service on buoys. It features a three-piece lens mounting system of molded Lexan with stainless steel thumb screws that fully compresses the lens gasket and provides strong positive closure of the lantern. The lantern may be submerged in one meter of water for an hour with no ill effects.
- A hydrophobic vent allows pressure equalization during temperature cycling preventing condensation inside the lantern.
- The lantern can accommodate an external photocell, solar array cable and battery cable.

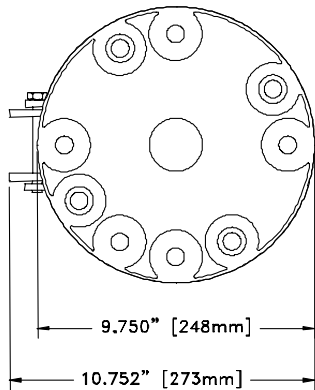
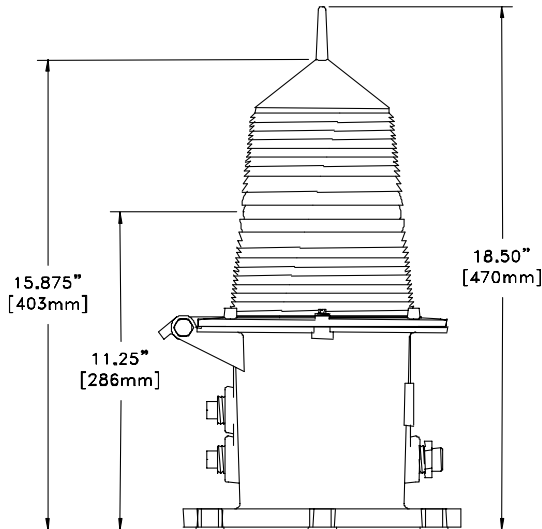


MOUNTING & DIMENSIONS:

Four each 5/8 inch holes on a 7 7/8 inch bolt circle-- 90° apart. Three-hole base pattern is also available.

LANTERN DIMENSIONS: SHIPPING DATA:

4.9 pounds 10 pounds
 10in. X 10in. X 18in. 13in X 13in X 21in.



TYPICAL PERFORMANCE:

1x4 LED Array with 1Watt LEDs
 Steady Burn

	Red	Green	White	Yellow
Candela	137	121	77	75
Power from Battery	5.2W	5.3W	5.6W	5.2W

Vertical Divergence: 7° @ 50%
 15° @ 10%

3x4 LED Array with 1Watt LEDs
 Steady Burn

	Red	Green	White	Yellow
Candela	159	145	112	86
Power from Battery	10.5W	10.5W	11.2W	10.5W

Vertical Divergence: 16° @ 50%
 25° @ 10%
 Maximum average power of 5.5W to LEDs.

1x4 LED Array with 3Watt LEDs
 Steady Burn

	Red	Green	White	Yellow
Candela	293	291	209	210
Power from Battery	13.2W	15.6W	16.6W	13.2W

Vertical Divergence: 7° @ 50%
 15° @ 10%
 Maximum average power of 5.5W to LEDs.

www.automaticpower.com

Pharos Marine – England
 Steyning Way, Houndslow
 Middlesex, England TW4 6DL
 Phone: 44-20-8538-1100
 Fax: 44-20-8577-4170
 abpharos@singnet.com.sg

**AUTOMATIC POWER – HOUSTON
 MAIN OFFICE & FACTORY**
 213 Hutcheson St.
 Houston, TX USA 77003
 P.O Box 230738
 Phone: 713-228-5208
 Fax: 713-228-3717
 sales@automaticpower.com

Pharos Marine – Singapore
 35 Tannery Road
 05-05 Tannery Block, Singapore 347740
 Phone: 65-6-747-9325
 Fax: 65-6-746-0478
 sales@pharosmarine.com

Automatic Power – West Coast USA
 250 Bel Marin Keys Blvd. B3
 Novato, CA USA 94949
 Phone: 415-382-6296
 Fax: 415-382-6299
 dolantp@aol.com

Automatic Power – Gulf Coast USA
 1340 Westbank Expressway
 Westwego, LA USA
 Phone: 504-347-2384
 Fax: 504-348-2306
 dcummiskey@automaticpower.com

Automatic Power – East Coast USA
 204 Parkway Drive
 70094 Williamsburg, VA USA 23183
 Phone: 757-253-2817
 Fax: 757-220-8166
 APlatlantic@aol.com