

Load Cell



DESCRIPTION

The KIM-1 load cell has several features that distinguish it from other load cells. It is easy to install and extremely accurate, even when subjected to disruptive industrial forces and harsh environmental conditions. All KIM load cells can be ATEX certified for use in explosive atmospheres.

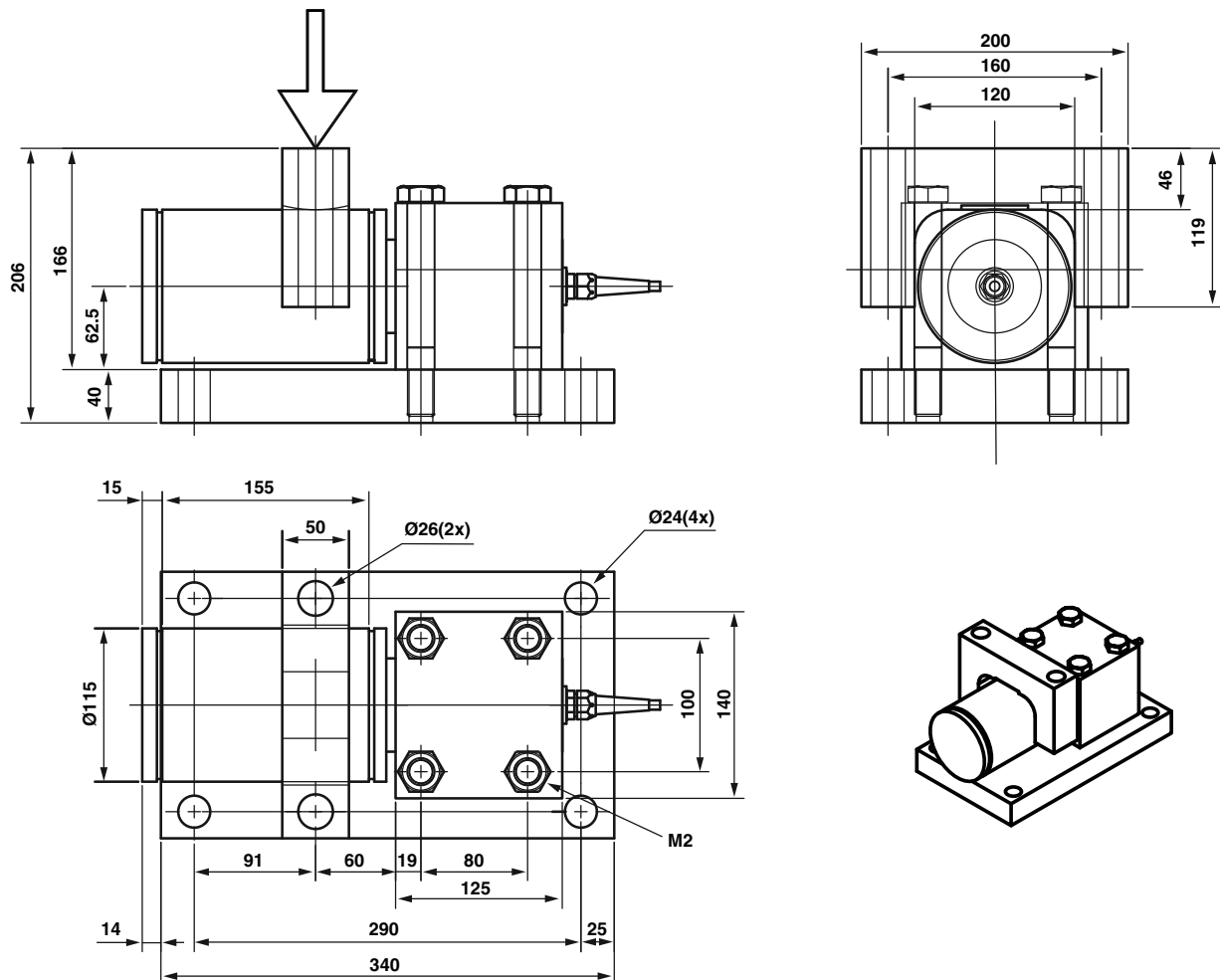
FEATURES

- Capacity range 200kN
- Simple installation
- Moveable load point
- Withstands very high lateral forces
- Accurate and rugged
- ATEX certified for hazardous locations

APPLICATIONS

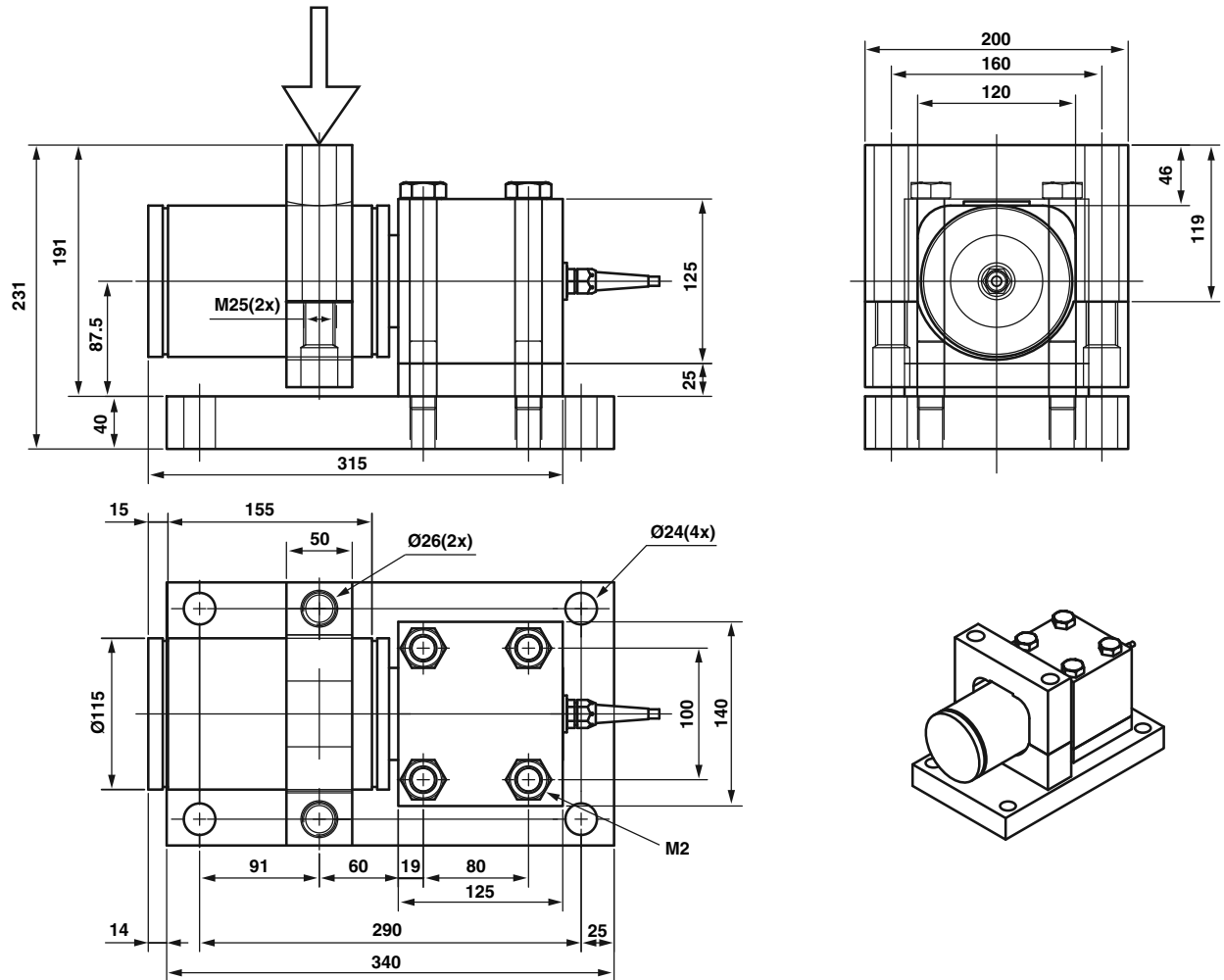
- Silo/bin/hopper inventory weighing systems
- Mixing and blending tanks
- Force measurement systems
- Conveyors

OUTLINE DIMENSIONS in millimeters



SPECIFICATIONS			
PARAMETER		VALUE	UNIT
Rated load (R.L.)		200	kN
Combined error (terminal)		±0.1	% of R.L.
Repeatability		0.02	% of R.L.
Overload safe	ref. to rec. loading point	50	% of R.L.
Overload ultimate	ref. to rec. loading point	100	% of R.L.
Side load ultimate		100	% of R.L.
Input voltage recommended		10	V DC or AC
Input voltage maximum		18	V DC or AC
Input resistance		350±5	Ω
Output resistance		350±0.5	Ω
Rated output (R.O.)		2.040	mV/V
Tolerance of R.O.		±0.25	% of R.O.
Zero balance		±2	% of R.O.
Tolerance of shunt calibration values		±0.25	%
Creep at R.L. after 30min		±0.03	% of R.L.
Temperature range		-40 to +100	°C
Temperature effect (-10 to +50°C)	on output	±0.003	% of output/°C
	on zero balance	±0.003	% of R.O./°C
Deflection at R.L.		0.1 - 0.3	mm
Insulation resistance at 200V DC		>4	GΩ
Electrical connection		10m four conductor cable	
Sealing		IP67	mm

DIMENSIONS OPTION TILT GUARD in millimeters



Disclaimer

ALL PRODUCTS, PRODUCT SPECIFICATIONS AND DATA ARE SUBJECT TO CHANGE WITHOUT NOTICE.

Vishay Precision Group, Inc., its affiliates, agents, and employees, and all persons acting on its or their behalf (collectively, "Vishay Precision Group"), disclaim any and all liability for any errors, inaccuracies or incompleteness contained herein or in any other disclosure relating to any product.

The product specifications do not expand or otherwise modify Vishay Precision Group's terms and conditions of purchase, including but not limited to, the warranty expressed therein.

Vishay Precision Group makes no warranty, representation or guarantee other than as set forth in the terms and conditions of purchase. **To the maximum extent permitted by applicable law, Vishay Precision Group disclaims (i) any and all liability arising out of the application or use of any product, (ii) any and all liability, including without limitation special, consequential or incidental damages, and (iii) any and all implied warranties, including warranties of fitness for particular purpose, non-infringement and merchantability.**

Information provided in datasheets and/or specifications may vary from actual results in different applications and performance may vary over time. Statements regarding the suitability of products for certain types of applications are based on Vishay Precision Group's knowledge of typical requirements that are often placed on Vishay Precision Group products. It is the customer's responsibility to validate that a particular product with the properties described in the product specification is suitable for use in a particular application.

No license, express, implied, or otherwise, to any intellectual property rights is granted by this document, or by any conduct of Vishay Precision Group.

The products shown herein are not designed for use in life-saving or life-sustaining applications unless otherwise expressly indicated. Customers using or selling Vishay Precision Group products not expressly indicated for use in such applications do so entirely at their own risk and agree to fully indemnify Vishay Precision Group for any damages arising or resulting from such use or sale. Please contact authorized Vishay Precision Group personnel to obtain written terms and conditions regarding products designed for such applications.

Product names and markings noted herein may be trademarks of their respective owners.