

ZETFON 400/310 AC

General Features

The ZÖLLNER ZETFON is a robust electrically operated whistle which is equally suitable for all types of merchant vessels as well as luxury yachts. The whistle operates on 230V AC 1phase and 24V DC emergency supply.

Essentials

- full compliance with the Colregs 1972
- type approved by all wellknown international authorities, certificates by the classification societies on request
- application:
 - vessels of 20 m but less than 75 m in length
 - land alarm, i.e. bunker stations, oil refineries, airports, powerplants, factories
- system voltage: 230V AC 1phase plus 24V DC emergency supply
- entirely made of best non-corrosion, seawater-resistant materials (no plastic!)



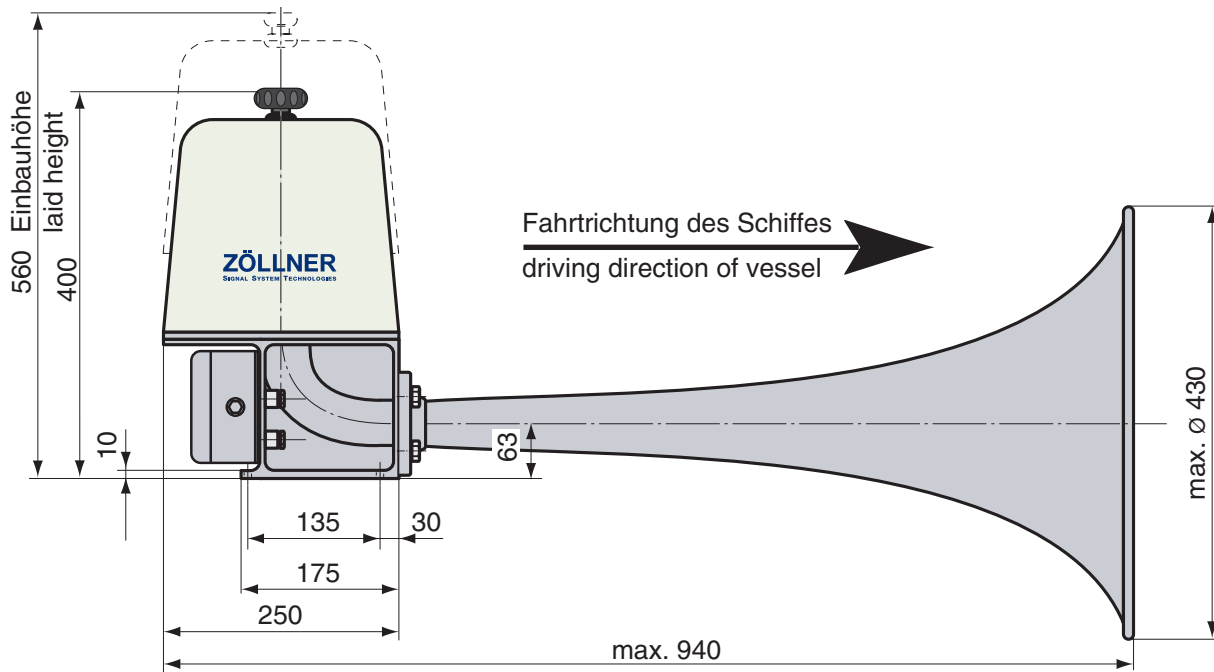
Sound Characteristics

- broad frequency spectrum with many higher harmonics
- signals with strong overtones for best penetration of background noise level

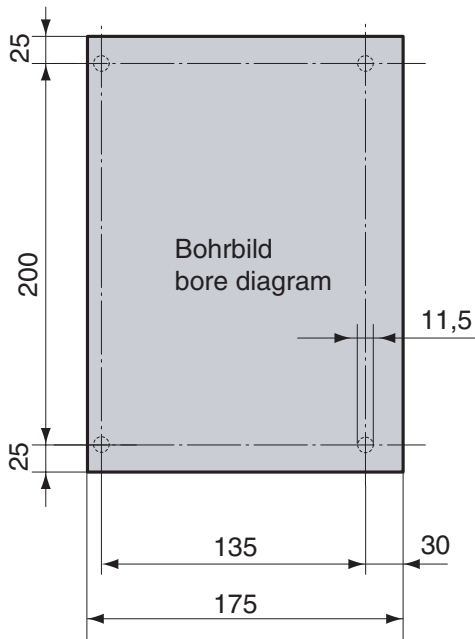
Even when a background noise covers the actual basic frequency the residual tone forms a parent frequency in the human hearing. Two or three harmonics are sufficient for the hearing to perceive the basic frequency.
- sound frequency of 310 Hz very advantageously ranks in the lower admissible range (250-700 Hz)

Advantages

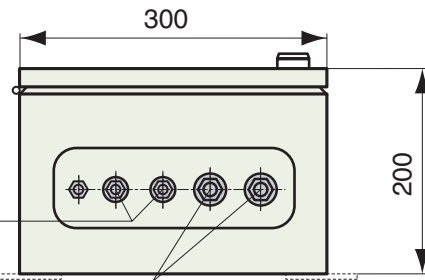
- *decades of experience*
- best material and workmanship - made in Germany
- *90 degrees bent aluminum sound horn allows optimum discharge of spray, flood, condensation water or melted snow*
- *standby heating to avoid condensed water*
 - body heating for cold areas available on request
- *control and amplifier unit provided with protection against cross-connection of terminals*
- *low power consumption of 500 W*
- *easy installation*
 - only one 2-core cable required for standard design
 - relatively low weight
- *simple but matured design*
 - easy exchange of all parts with onboard tools



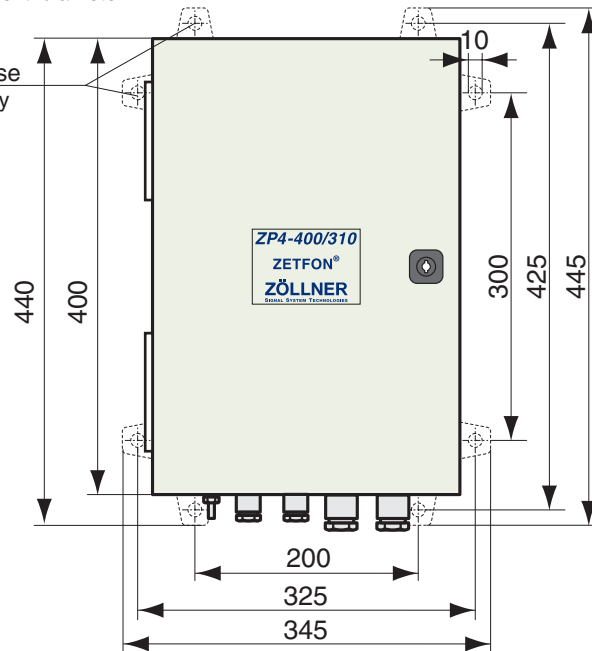
Schalt- und Verstärkereinheit ZP4
control and amplifier unit ZP4



Kabelverschraubung
 cable gland
 DIN 89280
 für $\varnothing 15$ außen
 for $\varnothing 15$ ext. diameter
 für $\varnothing 18,8$ außen
 for $\varnothing 18,8$ ext. diameter



wahlweise
 alternativly



Frequenz/frequency : ~310 Hz
 Schalldruckpegel:
 sound pressure level: 131dB/t 1m
 Gewicht/weight: 18kg

type	ship length [m]	voltage	fundamental frequency [Hz]	sound intensity in 1/3rd-octave band level at 1 m distance		max input sounding [W]	standby heating [W]	body heating [W]	type approval BSH (DHI) no.	protection type	weight [kg]
				dB(A)	mind. IMO 1/3rd oct						
400/310DC	20-75	230V AC +24V DC	310	131	130	500	20	100	49/26P/83	IP 56	19,7+6,4

Subject to alteration!

ZETFON 400/310 DC

General Features

The ZÖLLNER ZETFON is a robust electrically operated whistle which is equally suitable for all types of merchant vessels as well as luxury yachts. The whistle operates on 24 V DC.

Essentials

- full compliance with the Colregs 1972
- type approved by all wellknown international authorities, certificates by the classification societies on request
- application:
 - vessels of 20 m but less than 75 m in length
 - land alarm, i.e. bunker stations, oil refineries, airports, powerplants, factories
- system voltage: 24V DC
- entirely made of best non-corrosion, seawater-resistant materials (no plastic!)
- entirely made of best non-corrosion, seawater-resistant materials

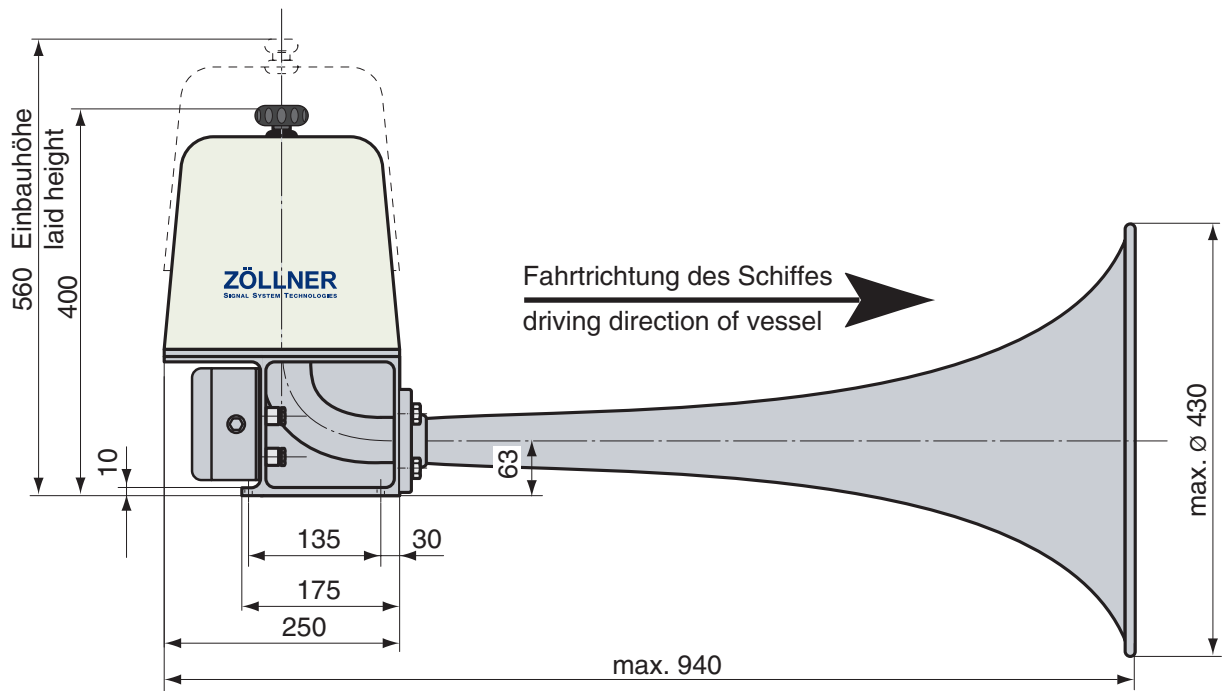


Sound Characteristics

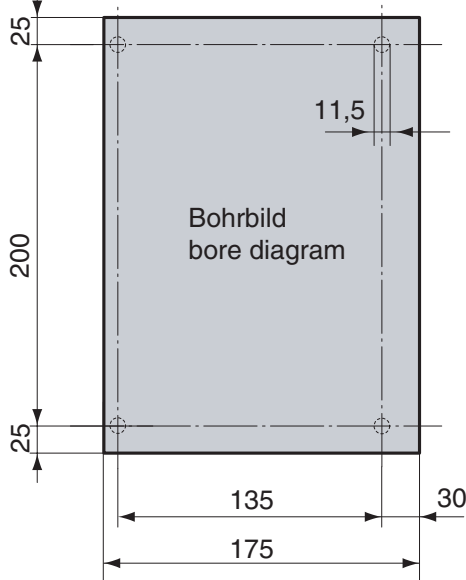
- broad frequency spectrum with many higher harmonics
- signals with strong overtones for best penetration of background noise level
Even when a background noise covers the actual basic frequency the residual tone forms a parent frequency in the human hearing. Two or three harmonics are sufficient for the hearing to perceive the basic frequency.
- sound frequency of 310 Hz very advantageously ranks in the lower admissible range (250-700 Hz)

Advantages

- *decades of experience*
- best material and workmanship - made in Germany
- *90 degrees bent aluminum sound horn allows optimum discharge of spray, flood, condensation water or melted snow*
- *standby heating to avoid condensed water*
 - *body heating for cold areas available on request*
- *control and amplifier unit provided with protection against cross-connection of terminals*
- *low power consumption of 500 W*
- *easy installation*
 - *only one 2-core cable required for standard design*
 - *relatively low weight*
- *simple but matured design*
 - *easy exchange of all parts with onboard tools*



Schalt- und Verstärkereinheit ZP5
control and amplifier unit ZP5



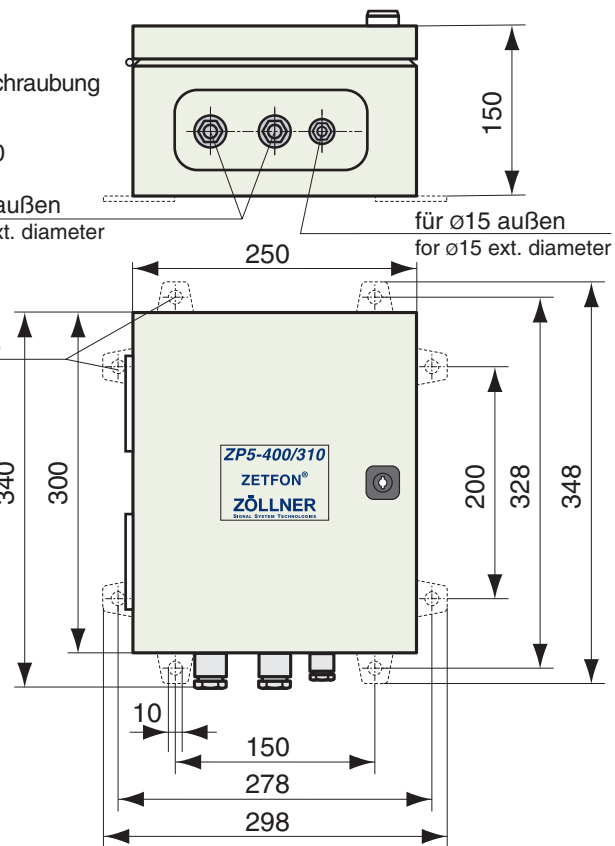
Kabelverschraubung
 cable gland

DIN 89280

für Ø18,8 außen
 for Ø18,8 ext. diameter

für Ø15 außen
 for Ø15 ext. diameter

wahlweise
 alternatively



Frequenz/frequency : ~310 Hz

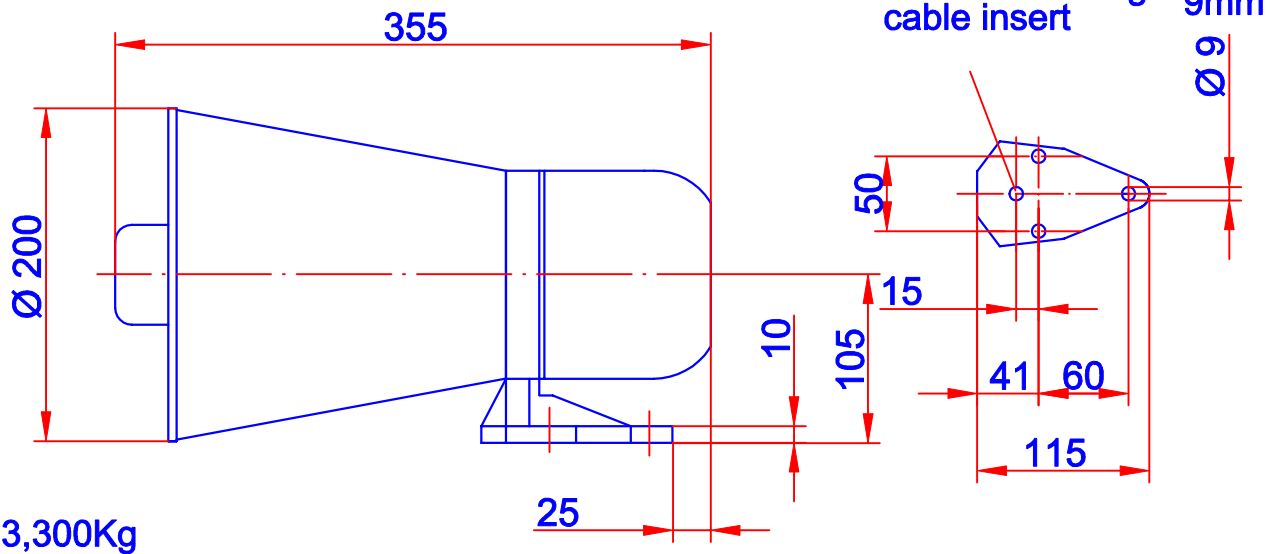
Schalldruckpegel:
 sound pressure level: 131dB/t 1m

Gewicht/weight: 18kg

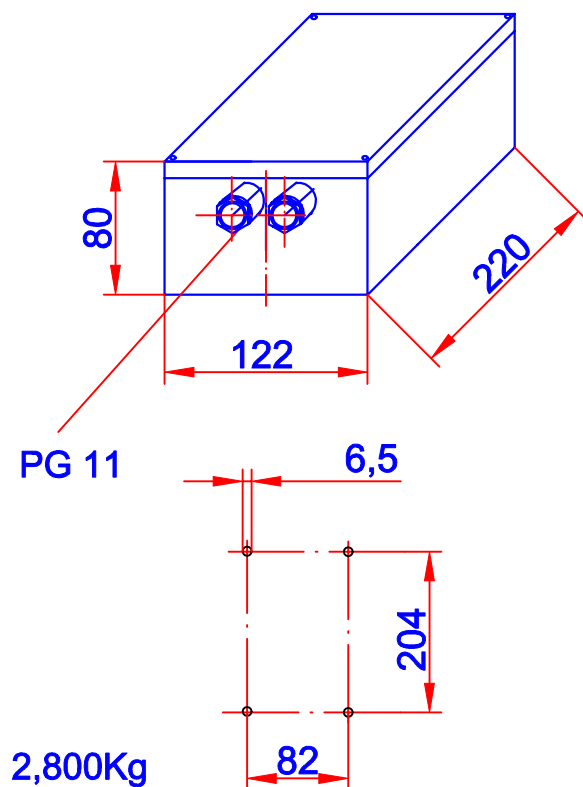
type	ship length [m]	voltage	fundamental frequency [Hz]	sound intensity in 1/3rd-octave band level at 1 m distance		max input sounding [W]	standby heating [W]	body heating [W]	type approval BSH (DHI) no.	protection type	weight [kg]
				dB(A)	mind. IMO 1/3rd oct						
400/310DC	20-75	24V DC	310	131	130	500	20	30	49/26P/83	IP 56	19,7+6,4

Subject to alteration!

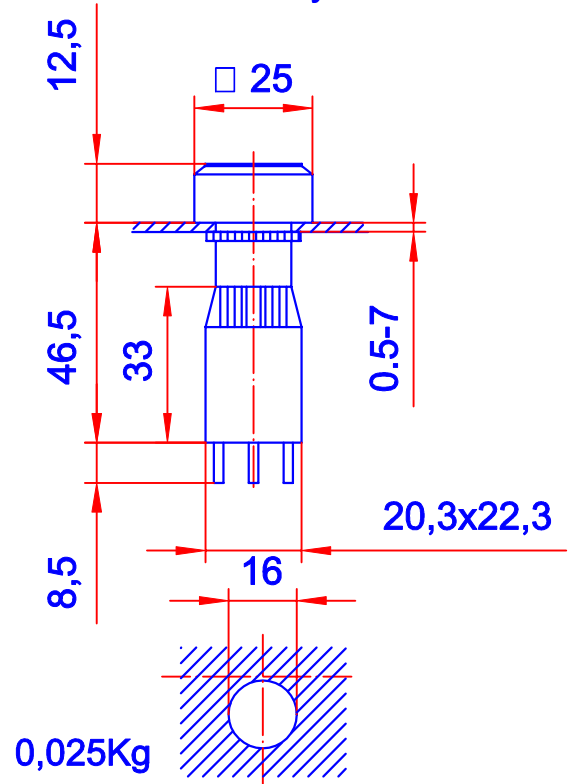
ZETFON 70s



Schalt-u.Verstärkereinheit ZP-8
Control-a.amplifier unit ZP-8



Einbau Leuchttaster 4676
Illuminated built-in key 4676



Einspeisung / feeding : 24V DC

Leistungsaufnahme /input for sounding : ca.100W

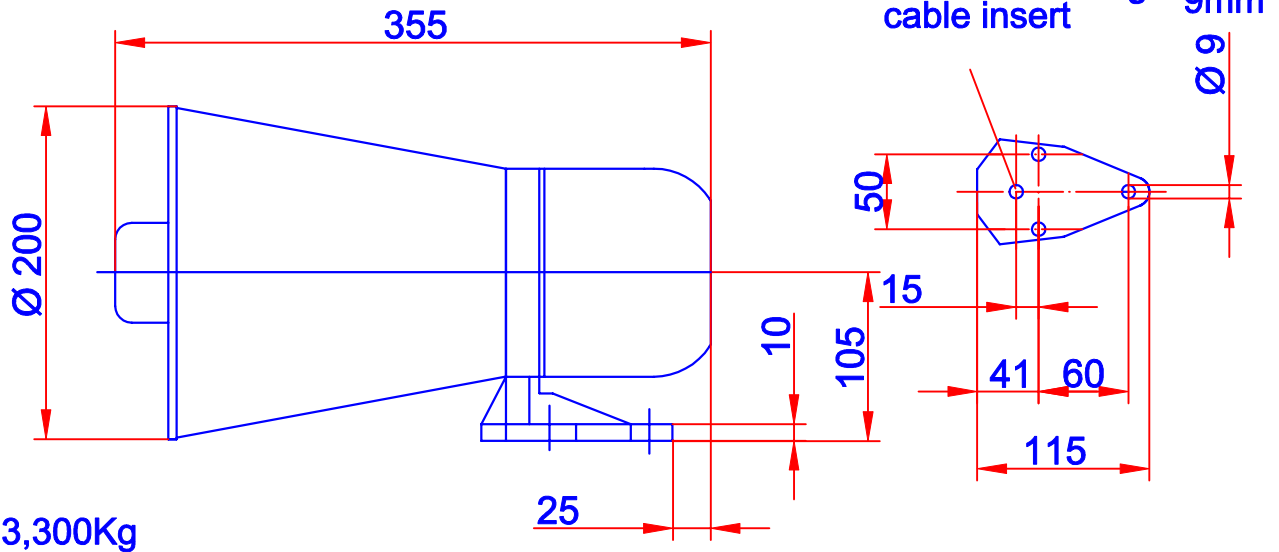
Schallpegel / sound level : >120dB(T) 1m

Grundfrequenz / sound frequency : 330Hz

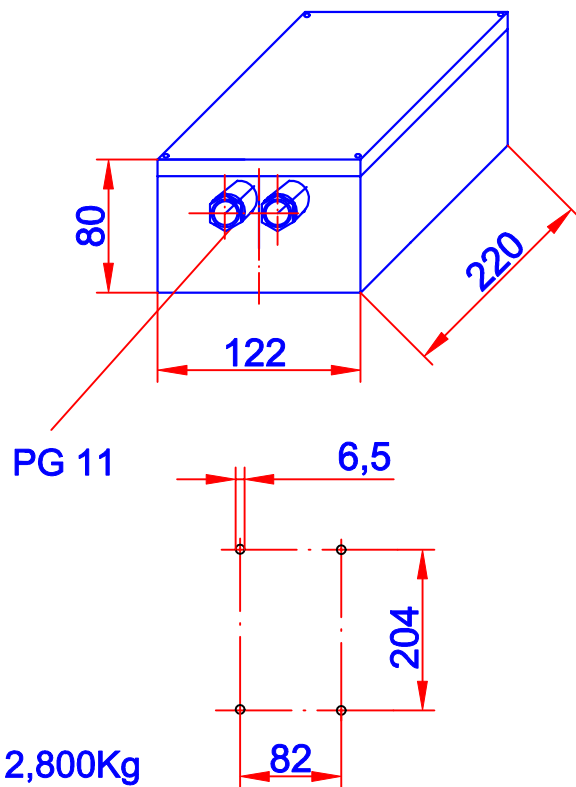
Anbauanweisung : Das ZETFON 70s ist ca.3° nach vorne geneigt anzubauen!

Direction for installation : The ZETFON 70s has to be installed bending appr.3° to the front !

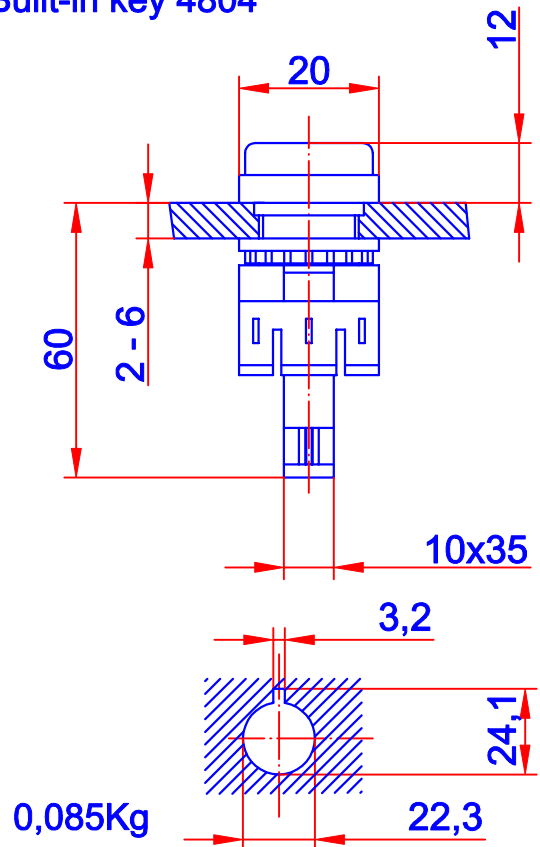
ZETFON 70s



Schalt-u.Verstärkereinheit ZP-7
Control-a.amplifier unit ZP-7



Einbautaster 4804
Built-in key 4804



Einspeisung / feeding : 12/24V DC

Leistungsaufnahme /input for sounding : ca.50W

Schallpegel / sound level : >120dB(T) 1m

Grundfrequenz / sound frequency : 660Hz

Anbauanweisung : Das ZETFON 70s ist ca.3* nach vorne geneigt anzubauen!

Direction for installation : The ZETFON 70s has to be installed bending appr.3*to the front !