

LED-1
LED-2
LED-3
LED-4

Chamaeleon

Floodlights with LED Technology

karl-dose.com/Chamaeleon

ENERGY
management



Chamaeleon
LED-1

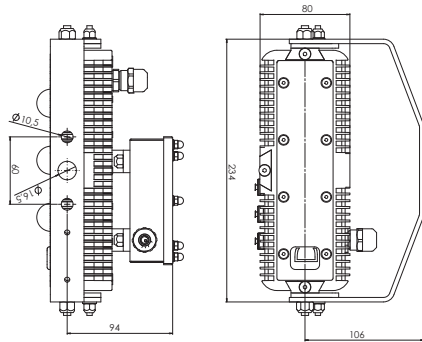


Chamaeleon
LED-2 variant 1

NEW SERIES
installation with a modular construction system,
individually configurable

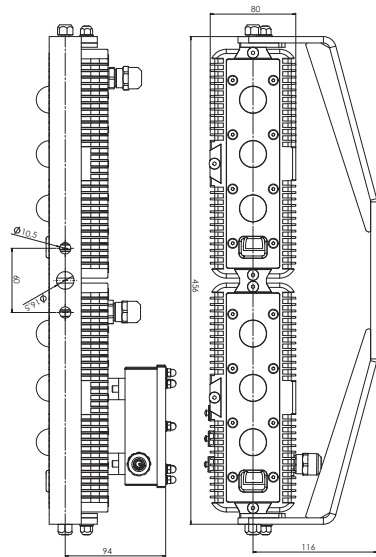
Technical Data

Name & No.	Watt	kg	Description
Chamaeleon LED-1	30W	3,00	<ul style="list-style-type: none"> • IP 56 • casing made of aluminium / brass • casing powdercoated RAL 9016 • cable gland: M18 x 1,5 (IP 68) • input voltage: 85-264V AC, 12-375V DC, 24V DC
Chamaeleon LED-2	60W	6,00	<ul style="list-style-type: none"> • 3 x High Power LED modules • light output: approx. 1.300 lm / LED • luminous colour: approx. 5.000K
Chamaeleon LED-3	90W	9,00	<ul style="list-style-type: none"> • ambient temperature: -25°C up to +45°C • optical light output ratio: 140 lumen / watt
Chamaeleon LED-4	120W	12,00	<ul style="list-style-type: none"> • round angle available in: 60°, 90°, 120°, 150x90° and 155x120° • modular construction. The light output can be accommodated to meet your specific application needs. • every floodlight can individual compose with maximal 4 elements for your solutions.

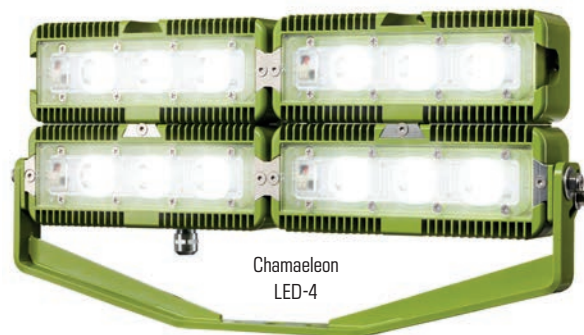


Chamaeleon LED-1

Spare Parts on request



Chamaeleon LED-2 variant 1

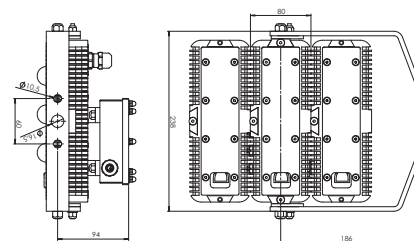


Chamaeleon
LED-4

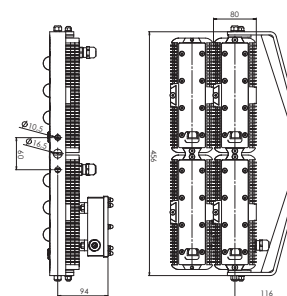


Optical Performance

Typ	beam angle round angle	range in 5m	illuminated area	luminous flux (1.300 lm/LED)
Chamaeleon LED-1	60°	120 lux	in 5 m: ca. Ø 5,8 m	ca. 3.501 lm
	90°	45 lux	in 5 m: ca. Ø 10 m	ca. 3.500 lm
	120°	15 lux	in 10 m: ca. Ø 17,3 m	ca. 3.501 lm
	150x90°	3 lux	in 5 m: ca. 35 x 12 m	ca. 3.500 lm
	155x120°	2 lux	in 5 m: ca. 35 x 16 m	ca. 3.108 lm
Chamaeleon LED-2	60°	267 lux	in 5 m: ca. Ø 5,8 m	ca. 7.002 lm
	90°	89 lux	in 5 m: ca. Ø 10 m	ca. 7.000 lm
	120°	30 lux	in 10 m: ca. Ø 17,3 m	ca. 7.002 lm
	150x90°	6 lux	in 5 m: ca. 35 x 12 m	ca. 7.000 lm
	155x120°	4 lux	in 5 m: ca. 35 x 16 m	ca. 6.216 lm
Chamaeleon LED-3	60°	401 lux	in 5 m: ca. Ø 5,8 m	ca. 10.503 lm
	90°	134 lux	in 5 m: ca. Ø 10 m	ca. 10.500 lm
	120°	45 lux	in 10 m: ca. Ø 17,3 m	ca. 10.503 lm
	150x90°	9 lux	in 5 m: ca. 35 x 12 m	ca. 10.500 lm
	155x120°	6 lux	in 5 m: ca. 35 x 16 m	ca. 9.324 lm
Chamaeleon LED-4	60°	535 lux	in 5 m: ca. Ø 5,8 m	ca. 14.004 lm
	90°	178 lux	in 5 m: ca. Ø 10 m	ca. 14.000 lm
	120°	59 lux	in 10 m: ca. Ø 17,3 m	ca. 14.004 lm
	150x90°	12 lux	in 5 m: ca. 35 x 12 m	ca. 14.000 lm
	155x120°	8 lux	in 5 m: ca. 35 x 16 m	ca. 12.432 lm



Chamaeleon LED-3



Chamaeleon LED-4