

HAZARDOUS AREAMASTER™ GENERATION 2 LED

- Three lumen outputs provide up to 19,500 lumens.
- Choice of optics for optimal light distribution in a variety of applications.
- Separate field wiring compartment with screw terminal block for easy and secure connection (can accept UL/CSA 26-10AWG).
- Two 3/4" NPT entries provided.
- Yoke bracket is designed to accommodate traditional Areamaster brackets and slipfitters for easy retrofit.
- Choice of color temperature (CCT); 5000K cool white or 3000K warm white.
- Rugged and compact housing with superior thermal design translates to long luminaire life.
- Heavy duty, high temperature silicone rubber gaskets.
- Thermal shock and impact resistant clear or frosted glass lens.
- Standard 6KV surge protection.
- Captive fasteners secure one piece lens.
- Field replaceable LED driver and lens cover.

SUITABLE LOCATIONS

- Enclosed and gasketed fixtures suitable for use in:
 - A wide range of industrial, chemical processing and other areas where flammable gases and vapors are present, for example
 - Oil and Gas Refineries
 - Petrochemical Plants
 - Foundries
 - Drilling Rigs
 - Pulp and Paper Mills
 - Food and Beverage Processing Facilities
 - Loading Docks
 - Power Plants
 - Water and Wastewater Treatment Facilities
 - Other areas where corrosive, wet, dirty and tough environments are a problem
- IP66/IP67, Type 4X, marine and wet locations
- Locations requiring dependable, consistent lighting in extreme hot/cold temperature environments. -40 °C to +65 °C (-40 °F to +149 °F) ambient temperature range

STANDARD MATERIALS

- Housing and lens door: copperfree (4/10 of 1% max.) aluminum
- Gaskets: silicone rubber
- Yoke: zinc plated HR steel
- Bolts: stainless steel
- Close up plugs: (1) aluminum provided
- Guard and safety cable: stainless steel
- Visor: Aluminum

STANDARD FINISHES

- Housing, lens cover and yoke mount: architectural bronze polyester

OPTIONS

- Improved safety cable design with multiple retention points, purchase separately
- Guard and visor available, purchase separately
- Slip-fitters and mounting brackets available for easy pole or wall mounting
- 10KV Surge Protection
- Metric M20 thread adapter

RELATED PRODUCTS

- Round Tapered Steel Poles
- Hinged Steel Poled
- Square Tapered Steel Poles
- Square Steel Poles
- Floodlight Mounting Brackets

NEC/CEC RATINGS

- Class I, Division 2, Groups A, B, C, D
- Class I, Zone 2 Group IIC
- Class II, Division 1 and 2, Groups E, F, G
- Class III
- Zone 20 and 21 Group IIIC
- Zone 22, Group IIIB
- Simultaneous Exposure
- Marine Outside Type (Salt Water) for USA ONLY
- Wet Locations
- Type 3R, 4, 4X, IP66/67
- cCSAus: 164460 Certificate Number: 70073611

ATEX/IECEx CERTIFICATIONS AND COMPLIANCES

- Certification Type: Areamaster Gen 2
 - Gas: Zone 2
 - Conforming to ATEX 2014/34/EU: II 3 G
 - Type of Protection: Ex tc IIC Gc
 - Temperature Class: T5 to T3
 - Dust: Zone 22
 - Conforming to ATEX 2014/34/EU: II 3 D
 - Type of Protection: Ex tc IIIC Dc
 - Surface Temperature: +85°C to +100°C (+185°F to +212°F)
- Ambient Temperature: -40°C up to +65°C (-40°F up to +268°F)
- EU Declaration of Conformity: 50317
- ATEX Certificate: SIRA 17ATEX3241
- IECEx Certificate: IECEx SIR 17.0079
- Index of Protection according EN/IEC 60529: IP66
- Impact Resistance (shock): IK10
- Photobiological Safety, IEC 62778 and IEC 62471: RG0

DESIGNLIGHTS™ CONSORTIUM

- All models

APPLETON™

For product information:
www.appletonelec.com
1.800.621.1506


EMERSON™

CONSIDER IT SOLVED.™

PRODUCT ORDERING GUIDE | AREAMASTER GENERATION 2 LED

AMLG
Series:
AMLG: Areamaster
2 LED

LZ
Lumen Level ④:
L6 - 9K
L7 - 15K
L8 - 19K

C
Color Temp CCT:
C - 5000K
W - 3000K ①

G
Diffusion:
G - Clear Glass
F - Frosted Glass ②
D - Diffused Polycarbonate ⑦

Z
Beam Spread:
6 - 7x7 (non-optic)
7 - 7x6

BU
Voltage:
BU - 120-277 Vac
50/60 Hz,
170-300Vdc
BH - 347-480Vac
50/60 Hz ⑧

S
Options:
F - Fusing ③
S - 10 KV Surge Protection ⑥
M - M20 Metric

① 3000K CCT (warm) is not available with NEMA 7x7 light pattern

② All lumen values are typical (tolerance +/-10%).

⑦ Diffused polycarbonate available for NEC/CEC only.

② Frosted Glass is only available with NEMA 7x7 light pattern

⑧ BH voltage available for NEC/CEC only.

③ Use of fuse voids Marine rating. Fusing not available for NEC/CEC.

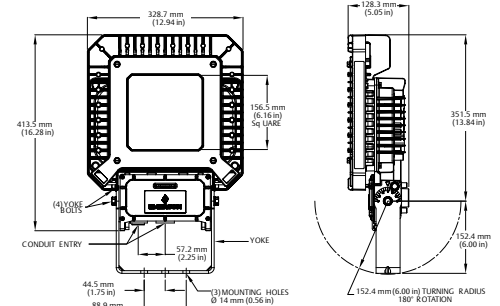
⑥ 10 KV Surge Protection available for NEC/CEC only.

	AMLGL6	AMLGL7	AMLGL8
Equivalent to HPS/PSMH	175-250 Watt	250-400 Watt	400-750 Watt
Input Power	70 Watt	110 Watt	150 Watt
Voltage Range	BU	120-277 Vac, 50/60 Hz, 170-300 VDC	
	BH ⑧	347-480 Vac, 50/60 Hz	
Luminous Flux (Efficacy) ① for 5000K Clear	7x7	9900 (141)	15300 (139)
	7x6	9000 (129)	14200 (129)
Correlated Color Temperature (CCT)	3000K/5000K		
Color Rendering Index (CRI)	80/70		
Ambient Temperature	-40 °C to +65 °C (-40 °F to +149 °F)		
T Rating NEC/CEC Class I Division 2	T4A @ +65 °C (+149 °F)	T3C @ +65 °C (+149 °F)	T3A @ +65 °C (+149 °F)
T Rating ATEX/IECEx Zone 2	T4 @ +65 °C (+149 °F)	T3 @ +65 °C (+149 °F)	T3 @ +65 °C (+149 °F)
Luminaire Weight	9.8 kg (22lb)		
Standard Materials	Housing: copperfree aluminum		
	Finish: architectural bronze polyester		
	Lens: thermal shock- and impact-resistant glass or optional frosted glass		
Lifetime	>100,000 hours @ +40°C (+104°F) ambient temperature		
	>60,000 hours @ +65°C (+149°F) ambient temperature		
Warranty	5 years standard; 10 years for models with secondary optic and extra surge protection		

① All values typical +/-10% .

⑧ BH voltage available for NEC/CEC only

Luminaire Category	Image	Effective Projected Area (EPA) = FPA * DC m ² (ft ²)
90° to Ground-Worst Case Mounting		0.39 (1.28)
45° to Ground-Standard Mounting		0.55 (1.82)



Photometric Data	
<p>7x7</p>	<p>7x6</p>

Note: 1 FC = 10.8 Lux

United States: 1.800.621.1506 | Asia/Pacific: + 65.6556.1100 | Australia: + 61.3.9721.0348
 Canada: + 1.888.765.2226 | China: + 86.21.3338.7000 | Europe: + 33.3.22.54.13.90
 Mexico/Latin America: + 52.55.5809.5049 | Middle East/Africa/India: + 971.4.811.8100
www.appletonelec.com

