

## DS-2TA21-3AVF Thermographic Cube Camera



Hikvision DS-2TA21-3AVF Thermographic Cube Camera is able to measure object's temperature at a high accuracy in real time. It is applied to fire prevention purpose in electric system, industrial automation and so on. The pre-alarm system helps you discover unexpected events immediately and protects your property.

### Key Feature

- 160 × 120 (the resolution of output image is 640 × 480) resolution in thermal channel, high sensitivity sensor.
- Point, line and area for temperature measurement
- Temperature range: -20°C to 150°C (-4°F to 302°F), 20°C to 350°C (68°F to 662°F); temperature accuracy: Max (±2 °C, ±2%)
- Reliable temperature exception alarm function
- 3D DNR, image detail enhancement
- Strobe light and audio alarm



## Specification

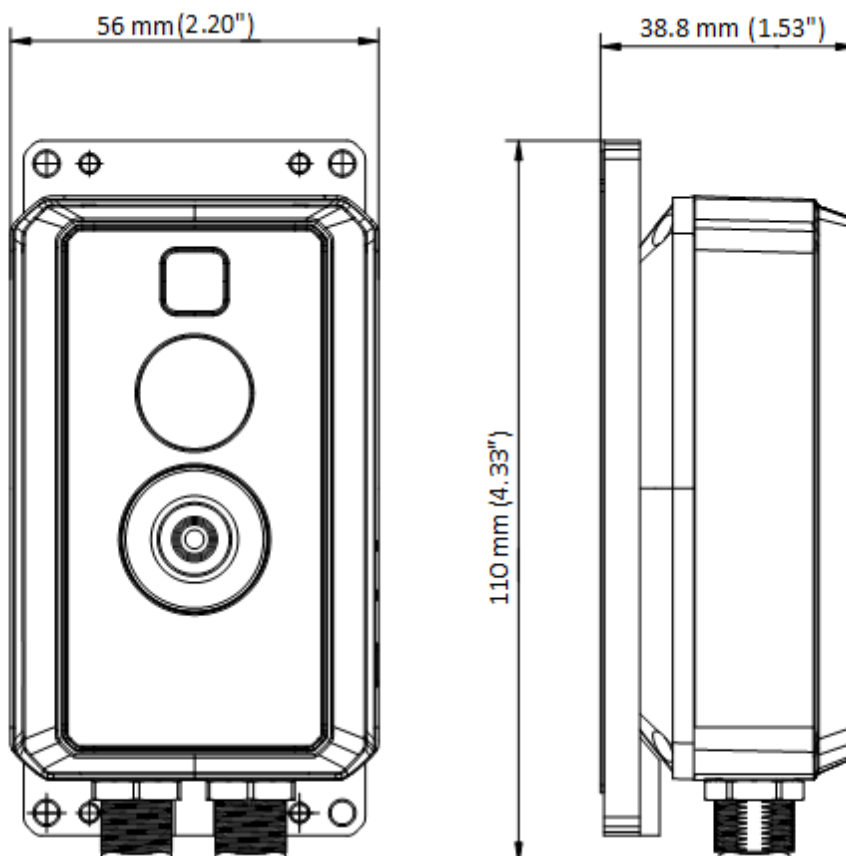
Thermal Module	
Image Sensor	Vanadium Oxide Uncooled Focal Plane Arrays
Resolution	160 × 120 (the resolution of output image is 640 × 480)
Pixel Interval	17μm
Response Waveband	8μm to 14μm
NETD	less than 40 mk (@25°C, F#=1.1)
Lens (Focal Length)	3.1 mm
IFOV	5.48 mrad
Field of View	50° × 37.2° (H × V)
Min. Focusing Distance	0.15 m
Aperture	F 1.1
Optical Module	
Image Sensor	1/5" Progressive Scan CMOS
Image Resolution	Configurable: 800 × 600, 1600 × 1200
Shutter Speed	1/30 s to 1/100,000 s
Lens (Focal Length)	2 mm
Field of View	92.6° × 75.8° (H × V)
Compression Standard	
Video Compression	Main stream: H.265+/H.265/H.264+/ H.264 Sub stream: H.265/H.264/MJPEG
H.264 Type	Baseline Profile/Main Profile/High Profile
Video Bit Rate	256 Kbps to 16 Mbps
Smart Feature	
Temperature Range	-20°C to 150°C (-4°F to 302°F), 20°C to 350°C (68°F to 662°F)
Temperature accuracy	Max (±2 °C, ±2%)
Temperature measurement type	3 temperature measurement rule types, 21 rules
Image	
Main Stream	Thermal channel: 25fps (640 × 480) Optical channel: 25fps (800 × 600, 1600 × 1200))
Sub Stream	Thermal channel: 25fps (640 × 480) Optical channel: 25fps (800 × 600, 1600 × 1200)
Image Enhancement	3D DNR
Image Setting	Brightness, Contrast, Background Correction, Manual Correction
Fusion	Support (Thermal View and Optical View Combined)
Network	
Alarm Trigger	Video tampering alarm, Network disconnected, IP address conflict, Illegal login, HDD full, HDD error
Alarm Action	Upload to SD card/FTP/NAS, notify surveillance center, smart capture, video recording, email linkage, audio alarm, white light alarm

Protocols	IPv4/IPv6, HTTP, HTTPS, 802.1x, Qos, FTP, SMTP, UPnP, SNMP, DNS, DDNS, NTP, RTSP, RTCP, RTP, TCP, UDP, IGMP, ICMP, DHCP, PPPoE, Bonjour
General Function	One-key reset, heartbeat, mirror, password protection, IP address filter
<b>Interface</b>	
Communication Interface	1 RJ45 Ethernet port, 1 RS-485 interface
Alarm	1 input, 1 output
<b>General</b>	
Menu language	English
Power Supply	10-30 VDC, Max. 5W PoE (802.3af, class 2)
Working Temperature and Humidity	-20 °C to 50 °C (-4 °F to 122 °F), humidity less than 95%
Protection	IP 67
Dimension	56 mm × 38.8 mm × 110 mm (2.20" × 1.53" × 4.33")
Weight	With Panel: 320 g (0.71 lb) Without Panel: 210 g (0.46 lb)

### Available Model

DS-2TA21-3AVF

### Dimension



Distributed by



Nortelco Electronics AS  
 Johan Scharffenbergs vei 95, 0694 Oslo, Norway  
 elektronikk@nortelco.no – www.nortelco.no

**HIKVISION®****Headquarters**

No.555 Qianmo Road, Binjiang District,  
 Hangzhou 310051, China  
 T +86-571-8807-5998  
 overseasbusiness@hikvision.com

**Hikvision USA**  
 T +1-909-895-0400  
 sales.usa@hikvision.com

**Hikvision Australia**  
 T +61-2-8599-4233  
 salesau@hikvision.com

**Hikvision India**  
 T +91-22-28469900  
 sales@pramahikvision.com

**Hikvision Canada**  
 T +1-866-200-6690  
 sales.canada@hikvision.com

**Hikvision Thailand**  
 T +662-275-9949  
 sales.thailand@hikvision.com

**Hikvision Europe**  
 T +31-23-5542770  
 sales.eu@hikvision.com

**Hikvision Italy**  
 T +39-0438-6902  
 info.it@hikvision.com

**Hikvision Brazil**  
 T +55 11 3318-0050  
 Latam.support@hikvision.com

**Hikvision Turkey**  
 T +90 (216)521 7070- 7074  
 sales.tr@hikvision.com

**Hikvision Malaysia**  
 T +601-7652-2413  
 sales.my@hikvision.com

**Hikvision UK & Ireland**  
 T +01628-902140  
 sales.uk@hikvision.com

**Hikvision South Africa**  
 Tel: +27 (10) 0351172  
 sale.africa@hikvision.com

**Hikvision France**  
 T +33(0)1-85-330-450  
 info.fr@hikvision.com

**Hikvision Kazakhstan**  
 T +7-727-9730667  
 nikia.panfilov@hikvision.ru

**Hikvision Vietnam**  
 T +84-974270888  
 sales.vt@hikvision.com

**Hikvision UAE**  
 T +971-4-4432090  
 salesme@hikvision.com

**Hikvision Singapore**  
 T +65-6684-4718  
 sg@hikvision.com

**Hikvision Spain**  
 T +34-91-737-16-55  
 info.es@hikvision.com

**Hikvision Tashkent**  
 T +99-87-1238-9438  
 uzb@hikvision.ru

**Hikvision Hong Kong**  
 T +852-2151-1761  
 info.hk@hikvision.com

**Hikvision Russia**  
 T +7-495-669-67-99  
 saleru@hikvision.com

**Hikvision Korea**  
 T +82-(0)31-731-8817  
 sales.korea@hikvision.com

**Hikvision Poland**  
 T +48-22-460-01-50  
 info.pl@hikvision.com

**Hikvision Indonesia**  
 T +62-21-2933759  
 Sales.Indonesia@hikvision.com

**Hikvision Colombia**  
 sales.colombia@hikvision.com